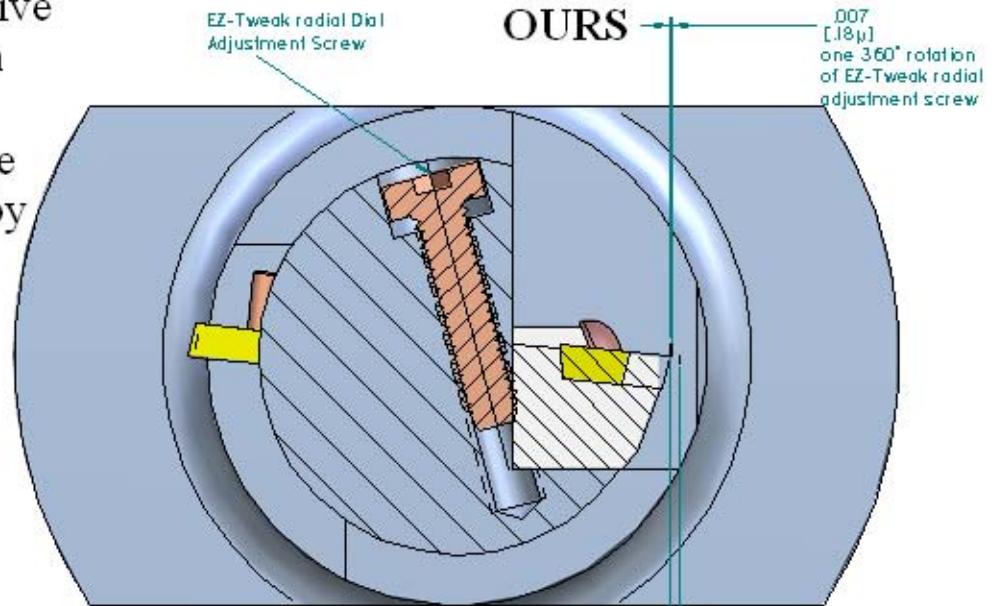


Competitive Carbide's exclusive EZ-Tweak fine boring system utilizes an angled radial adjustment screw that cuts the movement of your cartridge by 75% compared to standard cartridge radial adjustment screws.

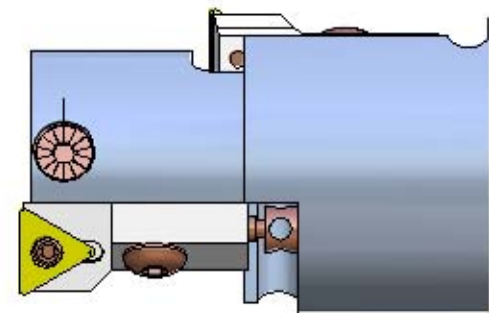
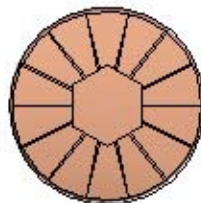


Standard M4 x .7 radial adjustment screws equal .0275 (.7µ) radially per 360° rotation of adjustment screw.

Competitive Carbides EZ-Tweak system with the same .7 pitch equals .007 (.18µ) radially per 360° rotation of screw.



Each Line segment on the EZ-Tweak dial screw equals .0005 (.013µ)



I: EZ-TWEAK\M4-EZ-TWEAK